

# Oceanus ROV System – Accessories

## Tether Deployment System

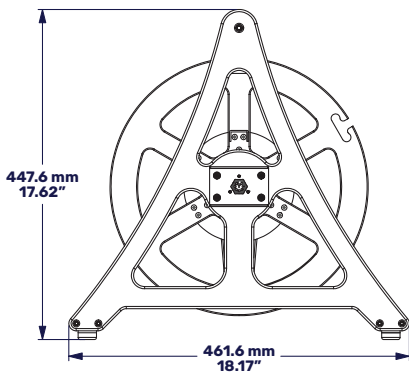
Designed,  
engineered &  
manufactured  
on-site. | MN

A00177 Oceanus ROV System Accessory -180m Tether Deployment System-April 2023

The MarineNav Tether Deployment System is a portable tether management reel capable of controlled deployment and retrieval of tether lengths of up to 180m (590 ft)\*.

## Rugged construction, built to last.

- Lightweight and durable, constructed from aluminum, PVC, Delrin and high density polyethylene
- Tether frame can be bolted in place
- All joints reinforced with stainless steel fasteners



### Aircraft-grade Aluminum crank

Plastic handle folds inwards toward crank for protection during transport

## Mechanical Specifications

Part #: ROV-ACC-TDS

<b>Dry Weight</b>	5.5 kg (12 lbs)*
<b>Tether Capacity</b>	180 m (590 ft)*
<b>Dimensions (folded handle position)</b>	461.6mm Length x 491.5mm Width x 447.6mm Height (18.17" L x 19.35" W x 17.62" H)*
<b>Dimensions (open handle position)</b>	461.6mm Length x 552.3mm Width x 447.6mm Height (18.17" L x 21.74" W x 17.62" H)*

\* While we strive to ensure the accuracy of all items and descriptions in this document, this is not always possible. Specifications, options, and availability subject to change with out notice. Errors and omissions excepted. We reserve the right to limit quantities.

**MARINENAV**  
BUILT NORTH ATLANTIC TOUGH.  
TRUSTED EVERYWHERE.



1466 Panmure Island Rd – Rte 347  
Panmure Island PE COA 1R0  
902 838-7011  
www.marinenav.ca

# Oceanus ROV System – Accessories

## Medium Tether Deployment System

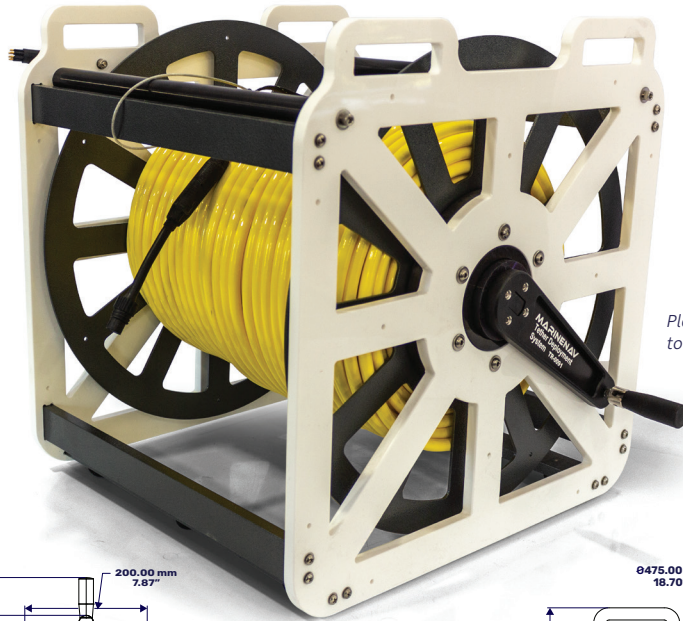
Designed,  
engineered &  
manufactured  
on-site. | MN

A00177 Oceanus ROV System Accessory -305m Tether Deployment System-April 2023

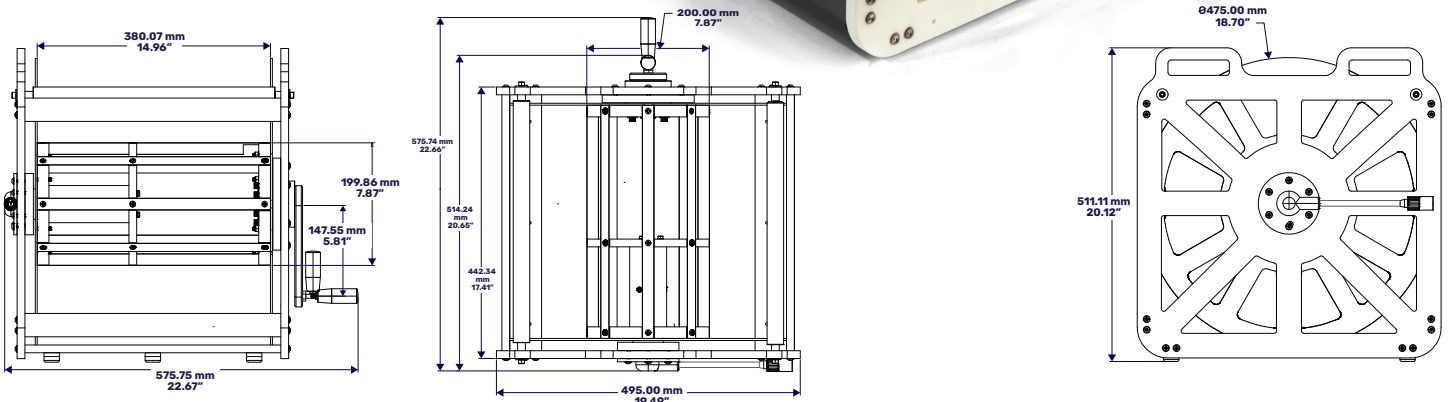
The MarineNav Tether Deployment System is a portable tether management reel capable of controlled deployment and retrieval of tether lengths of up to 350m (1148 ft)\*.

### Rugged construction, built to last.

- Lightweight and durable, constructed from aluminum, PVC, Delrin and high density polyethylene
- Tether frame can be bolted in place
- Folding hand-crank and built-in rollers for precise control of tether deployment
- All joints reinforced with stainless steel fasteners



**Aircraft-grade Aluminum crank**  
Plastic handle folds inwards toward crank for protection during transport



### Mechanical Specifications

Part #: ROV-TETHER-TDS-300M

<b>Dry Weight</b>	16.8 kg (37 lbs)*
<b>Tether Capacity</b>	350 m (1148 ft)*
<b>Dimensions (folded handle position)</b>	495.00mm Length x 514.24mm Width x 511.11mm Height (19.49" L x 20.65" W x 20.12" H)*
<b>Dimensions (open handle position)</b>	495.00mm Length x 575.74mm Width x 511.11mm Height (19.49" L x 22.66" W x 20.12" H)*

\* While we strive to ensure the accuracy of all items and descriptions in this document, this is not always possible. Specifications, options, and availability subject to change with out notice. Errors and omissions excepted. We reserve the right to limit quantities.

**MARINENAV**  
BUILT NORTH ATLANTIC TOUGH.  
TRUSTED EVERYWHERE.



© 2023 MarineNav Ltd.

1466 Panmure Island Rd – Rte 347  
Panmure Island PE COA 1R0  
902 838-7011  
www.marinenav.ca

# Oceanus ROV System – Accessories

Large Tether Reel in wheeled Pelican Case (600m capacity)

Designed,  
engineered &  
manufactured  
on-site. | MN

A00177 Oceanus ROV System Accessory - Tether Deployment System-600m-April 2023

The MarineNav Tether Deployment System is a wheeled self-contained tether management reel capable of controlled deployment and retrieval of tether lengths of up to 600m (1969 ft)\*.

## A self-contained tether deployment system for extra long ROV tether lengths.

- Industrial strength hinges and latches for air-tight closure
- Free moving side mounted carrying handles
- Interior tether reel and hand crank made of marine-grade materials
- Mounted rolling casters assists in movement of loaded tether reel case
- Built-in holder for tether reel hand crank when not in use.



## Mechanical Specifications

Part #: ROV-TETHER-ETDS

<b>Dry Weight</b>	52.84kg (116.5 lbs)*
<b>Tether Capacity</b>	600 m (1969 ft)*
<b>Dimensions (folded handle position)</b>	711.2mm Length x 673.1mm Width x 744.2mm Height (28.0" L x 26.50" W x 29.3" H)*
<b>Dimensions (open handle position)</b>	772.0mm Length x 673.1mm Width x 744.2mm Height (30.39" L x 26.50" W x 29.3" H)*

\* While we strive to ensure the accuracy of all items and descriptions in this document, this is not always possible. Specifications, options, and availability subject to change with out notice. Errors and omissions excepted. We reserve the right to limit quantities.

**MARINENAV**  
BUILT NORTH ATLANTIC TOUGH.  
TRUSTED EVERYWHERE.



© 2023 MarineNav Ltd.

1466 Panmure Island Rd – Rte 347  
Panmure Island PE COA 1R0  
902 838-7011  
www.marinenav.ca