

Oceanus ROV System – Accessories

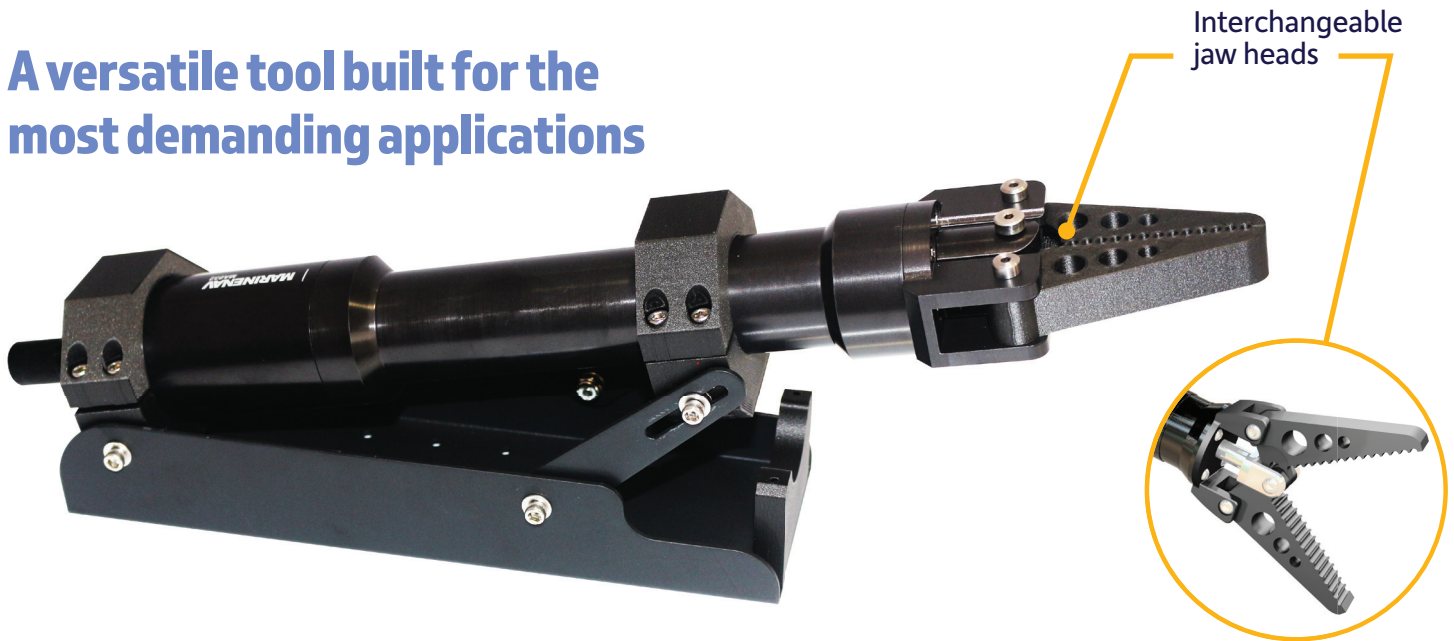
Single Axis Manipulator Arm - December 2022

Designed,
engineered &
manufactured
on-site. | MN

A00159 Oceanus ROV System Accessory -Single Axis Manipulator-December 2022-PR10

Designed to accept a variety of attachments, MarineNav’s ROV Manipulator Arm is an essential tool increasing functionality to your ROV, providing power and precision to perform gripping and recovery maneuvers to a depth of up to 300 meters.

A versatile tool built for the most demanding applications



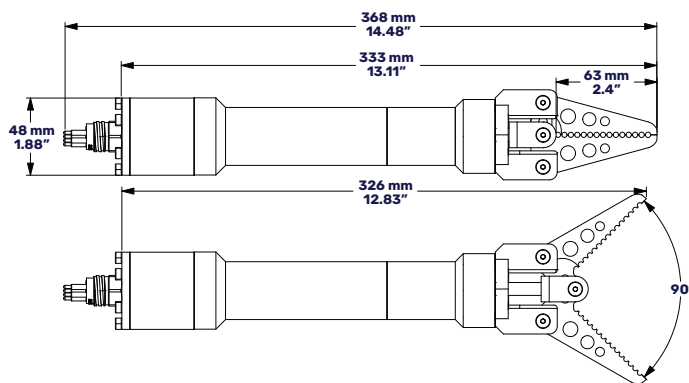
Mechanical Specifications

Grip Force (at tip)	100N*
Grip Force (in middle)	125N*
Jaw Opening 1	72 mm*
Jaw Opening 2	92 mm*
Time to Open/Close	4.5 secs*

Electrical Specifications

Supply Voltage (V_{in})	7 - 22 volts*
Peak Current	3 amps*

Dimensions



* Specifications, options, and availability subject to change with out notice. Errors and omissions excepted. We reserve the right to limit quantities. Rev June 02, 2022.



Part #: ROV-ACC-ARM