

# Oceanus ROV System – Accessories

## Manipulator Arm – Head Attachments

A00159 Oceanus ROV System Accessory -Head Attachments-Cutting Tool-December 2022-PR10

### Cutting Tool

Designed and manufactured in-house, the MarineNav cutting tool head attachment is one many available attachment heads that can easily be swapped out to fit with the MarineNav ROV rotating manipulator arm. Constructed of carbon fibre-filled nylon and durable marine-grade acetal, the cutting tool head attachment is designed to accommodate a variety of 3" diameter blades allowing users to cut through a variety of materials including rope of up to 2" diameter. The serrated mandible firmly holds material in place and the closing action of cutting blade controls the depth of cut. The grooved channel in the mandible ensures cutting blade will not damage the cutting tool, and a protective cutting blade shield protects the ROV from flying debris.

Part #: ROV-ACC-ARM-CUT



 **MADE IN CANADA**

*Photographs show cutting tool attachment fitted with a 3" diameter grinding wheel. Cutting tool attachment head may be fitted with a 3" diameter cutting blade (not shown). Contact MarineNav for more information.*

**MARINENAV**  
BUILT NORTH ATLANTIC TOUGH.  
TRUSTED EVERYWHERE.



© 2023 MarineNav Ltd.

1466 Panmure Island Rd – Rte 347  
Panmure Island PE COA 1R0  
902 838-7011  
www.marinenav.ca

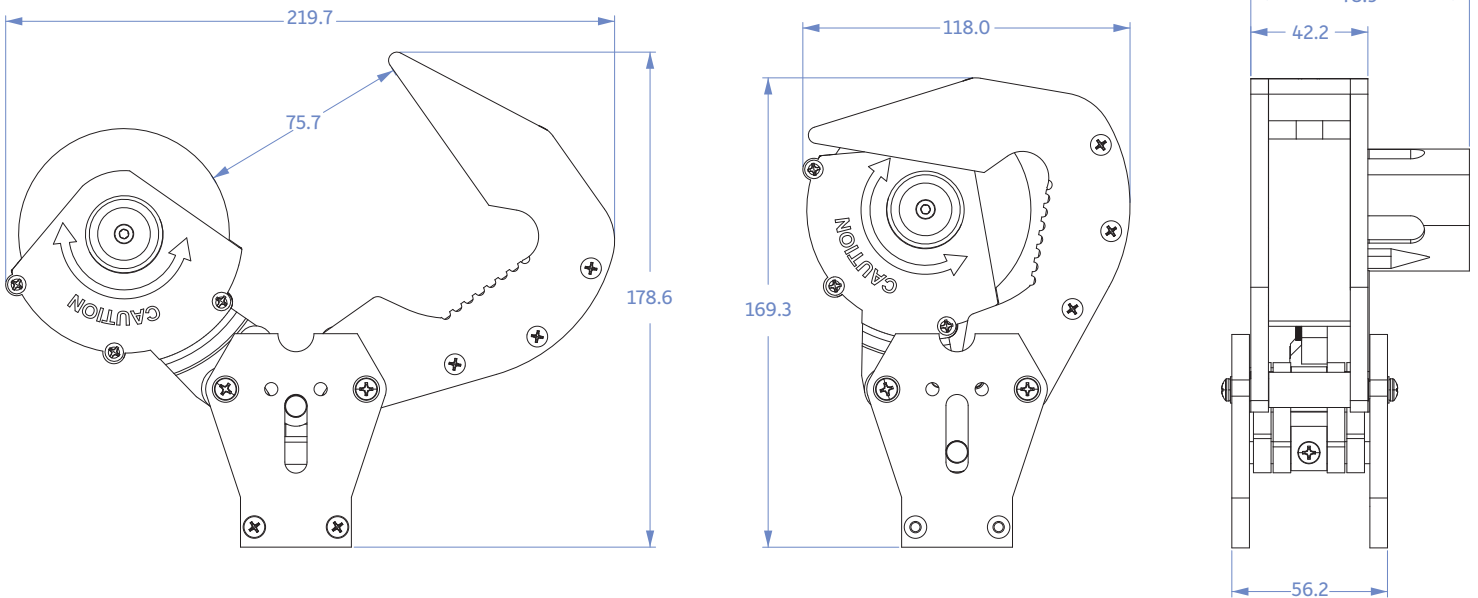
# Oceanus ROV System – Accessories

## Manipulator Arm – Head Attachments

Designed,  
engineered &  
manufactured  
on-site. | MN

A00159 Oceanus ROV System Accessory -Head Attachments-Cutting Tool-December 2022-PR10

### Dimensions - Cutting Tool\*



*The MarineNav Advantage*

Designed versatility  
with interchangeable  
ROV manipulator  
head attachments | MN

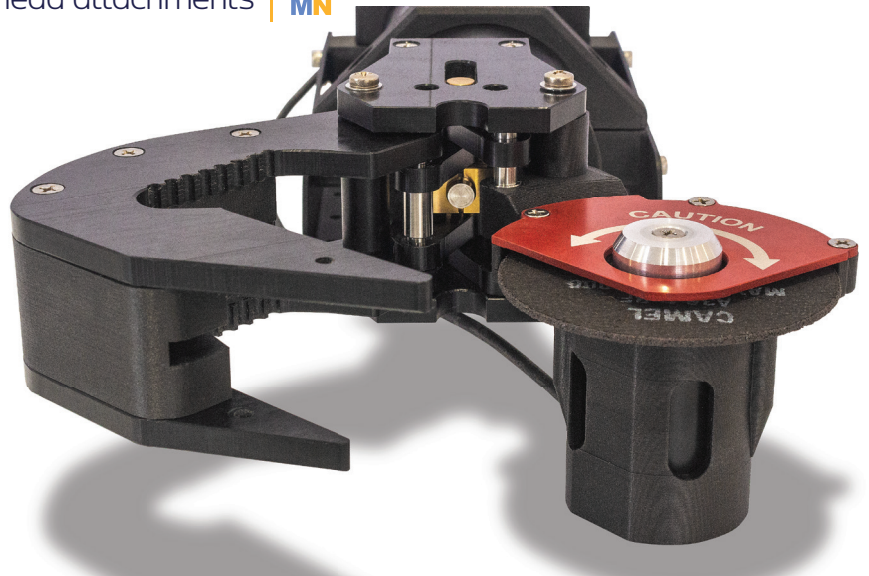
### Mechanical Specifications\*

<b>Bite Force</b>	200N (approx)
<b>360° Jaw Rotation (No Load)</b>	7.5 seconds
<b>Cutting Jaw Weight</b>	290g (approx)
<b>Jaw Opening</b>	219.7 mm
<b>Time to Open/Close</b>	14.2 seconds

### Electrical Specifications\*

<b>Supply Voltage (V<sub>in</sub>)</b>	12 - 24VDC
<b>Peak Current</b>	3 amps

\*Specifications, options, and availability subject to change with out notice. Errors and omissions excepted. We reserve the right to limit quantities. Revised April 01, 2022.



**MARINENAV**  
BUILT NORTH ATLANTIC TOUGH.  
TRUSTED EVERYWHERE.



© 2023 MarineNav Ltd.

1466 Panmure Island Rd – Rte 347  
Panmure Island PE COA 1R0  
902 838-7011  
www.marinenav.ca