

Oceanus ROV System – Accessories

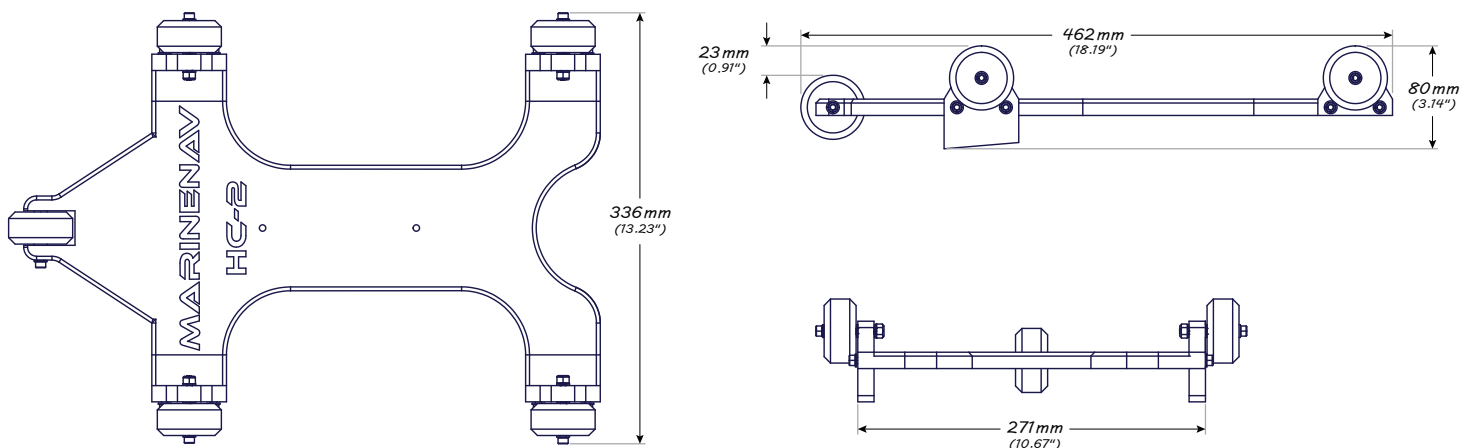
Misc. ROV Attachments – Pro HC2 Hull Crawler*

Designed,
engineered &
manufactured
on-site. | MN

A00159 Oceanus ROV System Accessory - Misc. HC2 Hull Crawler-December 2022-PR10

Designed by MarineNav and manufactured on-site, the Pro ROV HC2 Hull Crawler is easily attached to the ROV float block minimizing potential damage that may occur from contact with a vessel during a hull inspection. A hard protective plate and five wheels allows the Pro ROV to make contact and glide across the vessel surface in a sustained, controlled manner, minimizing sudden bumps or movements which could impede inspections.

Measurements (Pro ROV HC2 Hull Crawler)



Key Features

Designed, engineered and manufactured on-site, MarineNav ROV accessories are hand-assembled to exacting standards. MarineNav HC2 Hull Crawlers ship fully assembled with all necessary mounting fasteners.

- Manufactured from durable high-density polyethylene with acetal wheels and stainless steel fasteners.
- Integrated design provides quick and easy installation requiring a minimum of tools

* Hull Crawler ROV attachments are available for the Oceanus Mini and Ultimate ROVs. Contact MarineNav for product specifications.

While we strive to ensure the accuracy of all items and descriptions in this document, this is not always possible. Specifications, options, and availability subject to change with out notice. Errors and omissions excepted.

We reserve the right to limit quantities.

MARINENAV
BUILT NORTH ATLANTIC TOUGH.
TRUSTED EVERYWHERE.



© 2023 MarineNav Ltd.

1466 Panmure Island Rd – Rte 347
Panmure Island PE COA 1R0
902 838-7011
www.marinenav.ca